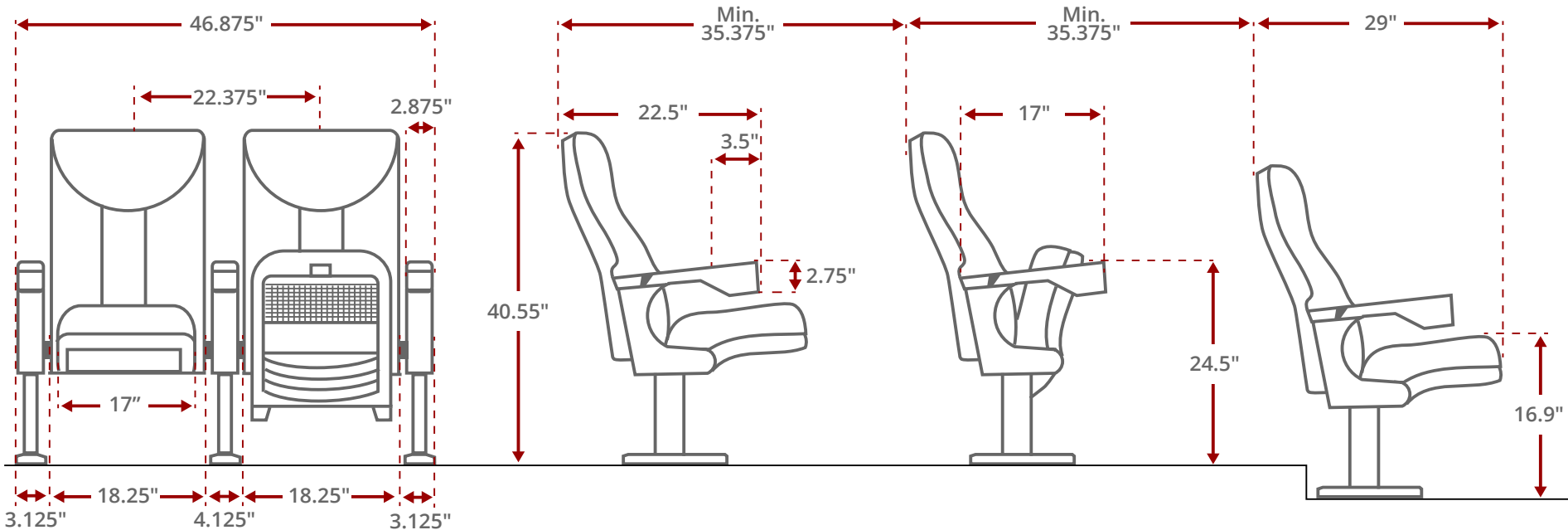


# FEATURES

- ▶ Cold Rolled Steel Frame
- ▶ ABS Plastic Outer Shell
- ▶ High Density Molded Foam
- ▶ Several Cupholder Options
- ▶ Non-Padded Arms
- ▶ CA-117 Compliant
- ▶ Optional Flip Up Arms
- ▶ Fixed Seat
- ▶ Gravity Return Seat Mechanism
- ▶ Upholstery & Color Options



## DIMENSIONS

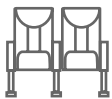


Specifications are correct at time of printing and are subject to change without notice.

All measurements in inches.



# LAYOUTS



ROW OF 2  
46.875 x 29 x 40.55



ROW OF 3  
69.25 x 29 x 40.55



ROW OF 4  
91.625 x 29 x 40.55



ROW OF 5  
114 x 29 x 40.55



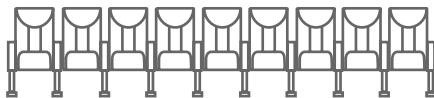
ROW OF 6  
136.375 x 29 x 40.55



ROW OF 7  
158.75 x 29 x 40.55



ROW OF 8  
181.125 x 29 x 40.55



ROW OF 9  
203.5 x 29 x 40.55



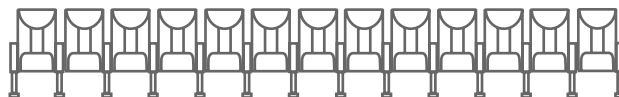
ROW OF 10  
225.875 x 29 x 40.55



ROW OF 11  
248.25 x 29 x 40.55



ROW OF 12  
270.625 x 29 x 40.55



ROW OF 13  
293 x 29 x 40.55



ROW OF 14  
315.375 x 29 x 40.55



ROW OF 15  
337.75 x 29 x 40.55



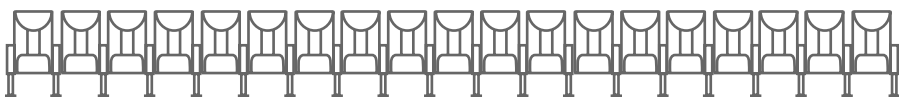
ROW OF 16  
360.125 x 29 x 40.55



ROW OF 17  
382.5 x 29 x 40.55



ROW OF 18  
404.875 x 29 x 40.55



ROW OF 19  
427.25 x 29 x 40.55



ROW OF 20  
449.625 x 29 x 40.55

